

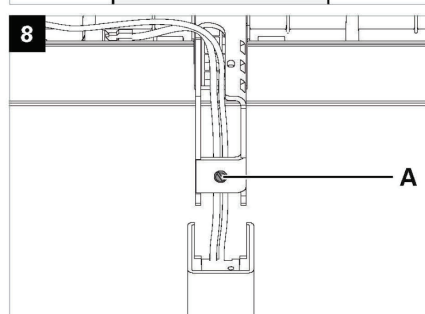
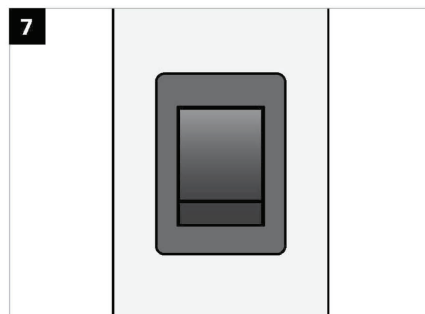
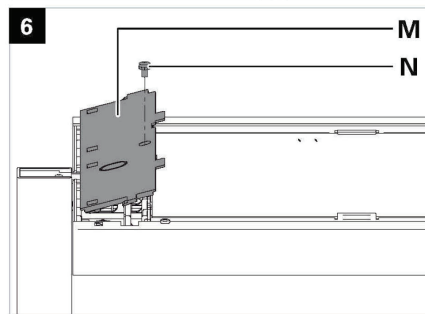
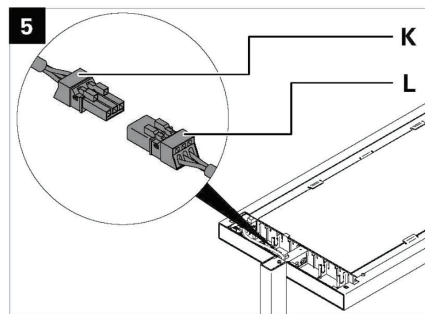
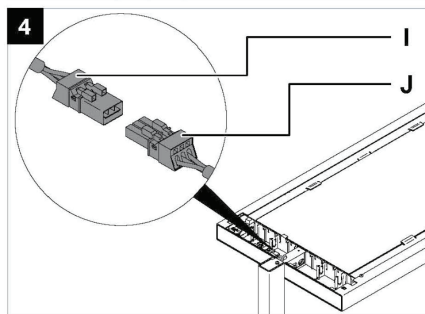
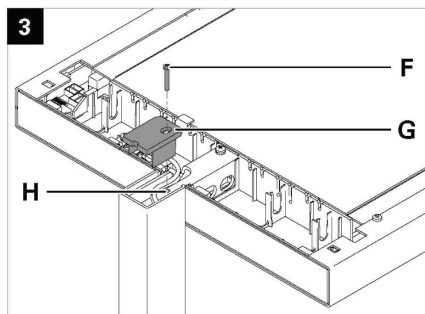
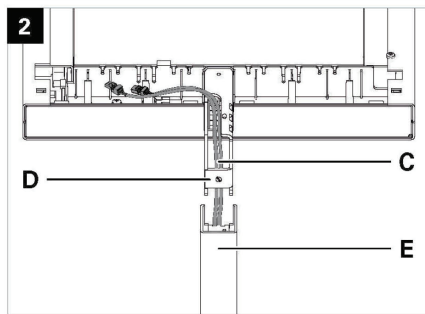
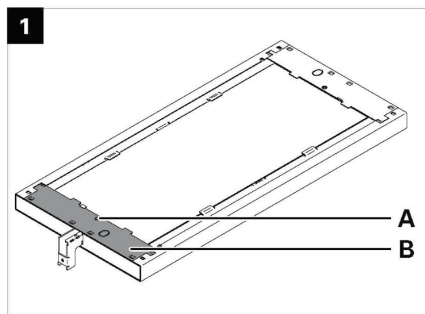
Instructions for use

ENG



LAVIGO.core Home DPS/12500/G1

Direct/Indirect



1. Warning levels

WARNING!

Warning against hazards that may result in **serious injuries or death** in case of non-observance.



Warning against hazards that may result in **injuries in case of non-observance**.

NOTICE:

Warning against hazards that may result in **material** damage in case of non-observance.

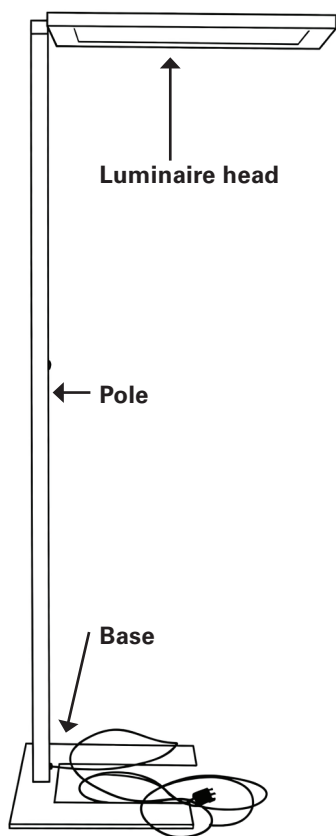
2. Mounting the pole

CAUTION!

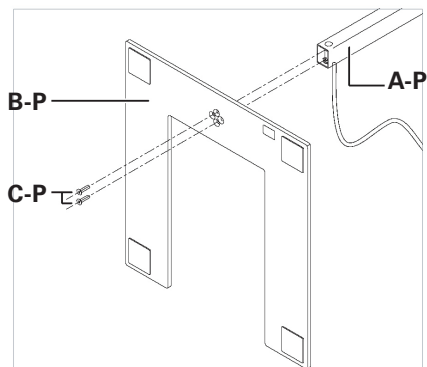
Risk of injury caused by a tilting luminaire.

Personal injury and material damage.

- Mount the pole in such a way that the luminaire head and the open side of the base of the luminaire will face in the same direction later.
- ▶ Do not modify the pole.



- ▶ Mount pole: Using supplied 4mm hex key wrench, mount pole **A-P** using the enclosed screws **C-P** on the base of luminaire **B-P** in such a way that the connecting cable faces forwards.



3. Connecting the head

1. Designated use
 - The luminaire is used for indoor lighting of rooms and work areas.
2. For your safety
 - Read all enclosed instructions and information.
 - Please observe the warnings included in the documentation and attached to the unit.
 - The device must only be used in technically perfect condition, and only by persons being aware of the risks and dangers involved in operating the device.
 - Keep this document available near the device

4. Mount head to column



WARNING! Exposed electric parts.

Danger of death due to electric shock.

- Connect the luminaire to the power supply only if the luminaire has been mounted completely.
- Have it performed by a skilled electrician only.



WARNING! Explosion hazard due to the use of luminaire in rooms subject to explosion hazards.

Death or serious injuries.

- ▶ Do not operate the luminaire in rooms subject to explosion hazards.

NOTICE: Risk of corrosion due to the use of the luminaire in moist rooms. Damage to the luminaire.

- Operate the luminaire in dry rooms only.



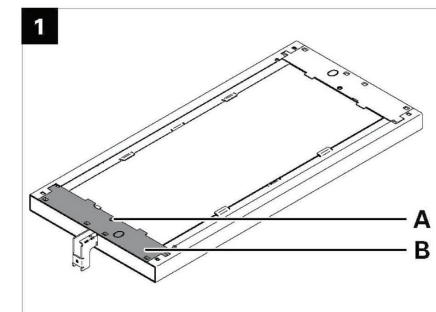
CAUTION! Risk of injury caused by a tilting luminaire.

Personal injury and material damage.

- Mount the fastening elements correctly.
- Mount the luminaire in a stable position.

4.1 Remove the luminaire cover

- Unscrew the screw **A** from the cover **B**. **1**
- Remove the cover from the luminaire head.

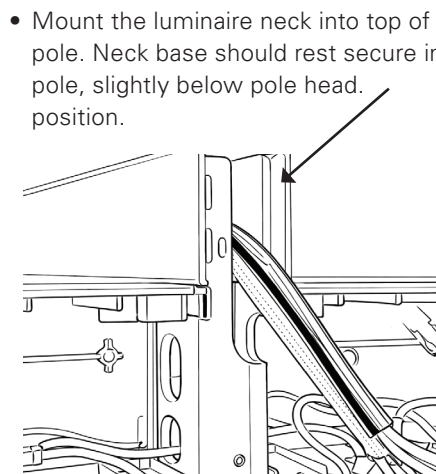


4.2 Mount the luminaire head to pole

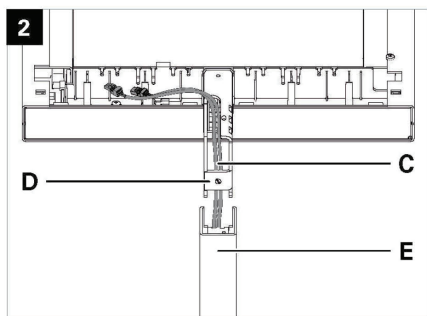
NOTICE Material damage caused by damaging the electric cables at the luminaire head.

Damage to the luminaire.

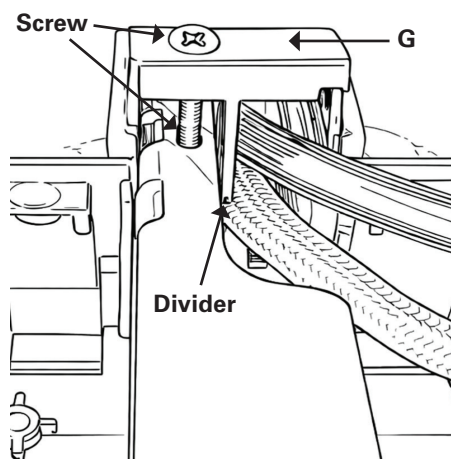
- ▶ Do not jam the cables



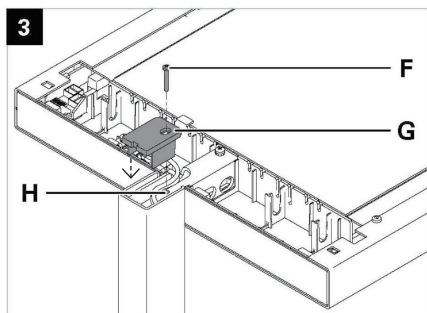
Lead the cables **C** from below through the support arm **D** past the luminaire head and insert the support arm completely into the column **E**. **2**



Pole cap **G** is divided into two channels. One is for the luminaire head cables. The other is only for the screw. Pull cables all the way thru correct cap channel before attaching cap.

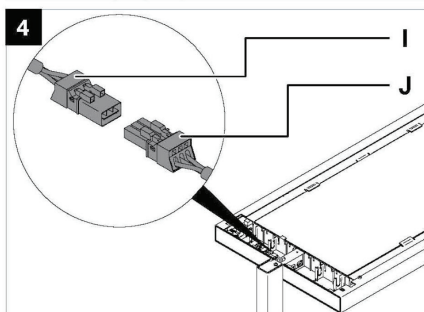


- Place the cover **G** from above onto the support arm
- Screw the screw **F** through the cover **G** into the hole **H** in the support arm and tighten the screw. **3**

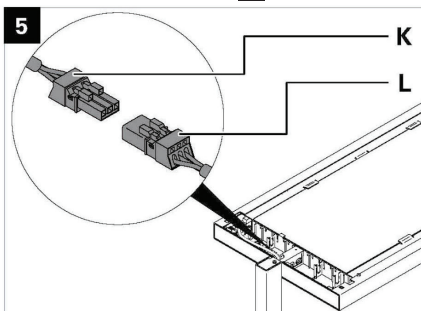


4.3 Connecting the luminaire cables

- Connect the plug **I** to the socket **J** at the luminaire head. **4**

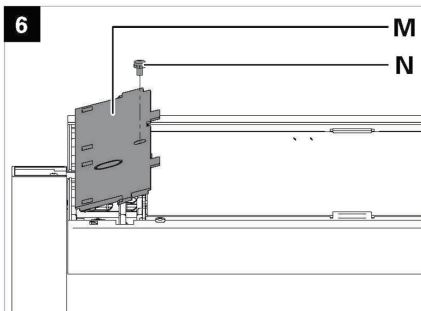


- Connect the socket **K** to the plug **L** at the luminaire head. **5**



4.4 Mounting the cover

- Insert the cover **M** with the hooks on the bottom side of the cover into the eyelets on the luminaire head and press the cover firmly. **6**
- Fasten the cover with the screw **N**.



5. Connection

WARNING! Improper connection to the mains supply.

Danger of death due to electric shock.

- The luminaire must be connected to a mains supply with protective earth conductor.

WARNING! Exposed electric parts.

Danger of death due to electric shock.

- Connect the luminaire to the power supply only if the luminaire has been mounted completely.

NOTICE Material damage caused by wrong mains voltage.

Damage or destruction of the luminaire.

- Compare the mains voltage with the nominal voltage and the frequency specified on the rating plate and make sure that they are identical.
- Plug the mains plug into a socket.

6. Functions of the luminaire

Switchable

This function can be used to switch the luminaire on and off.

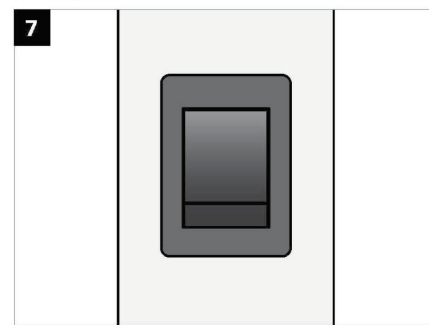
Dimmable

This function is used to change the brightness of the luminaire.

7. Operation

7.1 Switching on and off

- Press the switch briefly. **7**



7.2 Dimming

- Press the switch and keep it pressed. After about one second, the luminaire will change its brightness.
- To change the dimming direction, press the switch again and keep it pressed.

8. Replacing the lamp

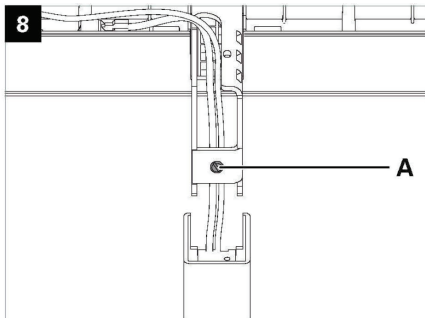
WARNING! Danger of death due to electric shock.

- Disconnect the luminaire from the power supply.
- Have the lamp replaced by manufacturer, by a service technician authorized by the manufacturer or by a person with comparable qualification.

9. Adjusting the luminaire head

If the luminaire head is not aligned horizontally, you can adjust the inclination of the luminaire head.

- To lift the luminaire head slightly, rotate the adjusting screw **A** one turn counterclockwise. **8**



- To lower the luminaire head slightly, rotate the adjusting screw **A** one turn clockwise.
- Check whether the luminaire head is aligned horizontally and repeat the steps if necessary.

10. Cleaning

WARNING! Danger of death due to electric shock.

- Disconnect the luminaire from the power supply.
- Do not clean with a wet cloth.

NOTICE Material damage caused by using wrong cleaning agents.

Damage to the luminaire.

- Make sure the cleaning agent is compatible with the surface.
- Clean the luminaire with a cloth and a mild detergent.

11. Repair

WARNING! Danger of death due to electric shock.

- Disconnect the luminaire from the power supply.
- Have repairs performed by the manufacturer or by a service technician authorized by the manufacturer only.
- Disconnect a damaged connecting cable immediately from the power supply and have it replaced by the manufacturer, by a service technician authorized by the manufacturer or by a person with comparable qualification.

NOTICE Material damage caused by improper repair.

Damage or destruction of the luminaire.

- Only spare parts released by the manufacturer may be used as spare parts.

12. Dismounting

WARNING! Danger of death due to electric shock.

- Disconnect the luminaire from the power supply.
- Have it performed by a skilled electrician only.

CAUTION! Risk of injury caused by falling luminaire head

Personal injury and material damage.

- Hold luminaire head.
- Dismount the elements of the luminaire in the reverse order to mounting.

13. Disposal

The luminaire is subject to the European WEEE Directive.

- Dispose of the luminaire separately from domestic waste using the agencies responsible for disposal and designated by the authorities. Proper disposal avoids adverse effects on humans and the environment.

Technical Data

NOTICE: The data given on the rating plate of the luminaire apply. The rating plate can be found on the cover at the luminaire head.

Dimensions

Designation	Value
Luminaire head	26.6 in. x 12.6 in. x 1.5 in.
Base of the luminaire	19.7 in. x 18.5 in. x 0.4 in.
Total height	80 in.





Electrical values

Designation	Value
Voltage range	120V AC
Frequency range	50/60 Hz
Power consumption	The power consumption is specified on the rating plate of the luminaire.
Inrush current	33 A; t = 280 μ s
Operating unit	Integrated into luminaire head

Classification

Designation	Value
Protection class	I
Degree of protection	IP 20
Operating mode	Continuous operation

Symbols

Symbol	Designation
	Caution, dangerous voltage! Risk of the electric shock
	Protection class I Operation with protective earth conductor
	ETL conformity mark
	Disposal in accordance with the European WEEE Directive

Assembled in USA with parts from Germany and USA.

Waldmann Lighting Company

9 W. Century Drive
Wheeling, Illinois 60090
www.waldmannlightinghome.com
PR281-LAVIGO.core Home
USO-0180399.R1

Telephone (847) 520 1060
Fax (847) 520 1730
homelighting@waldmannlightinghome.com

Waldmann 
LIGHT FOR BETTER RESULTS